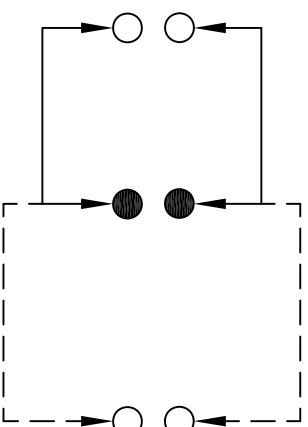
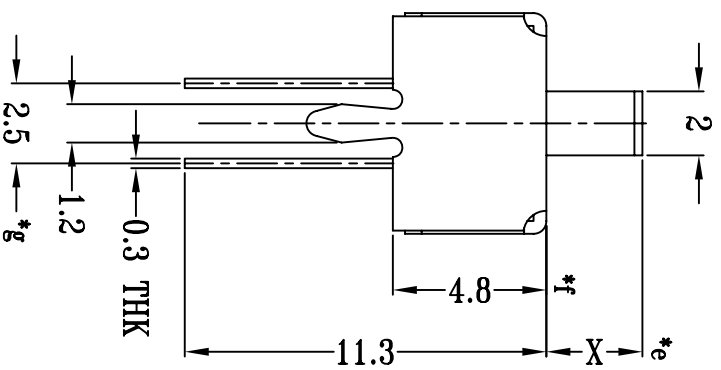
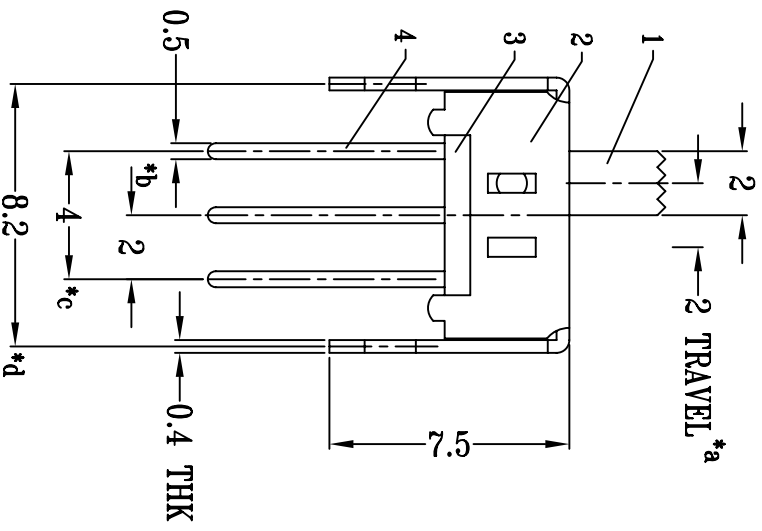
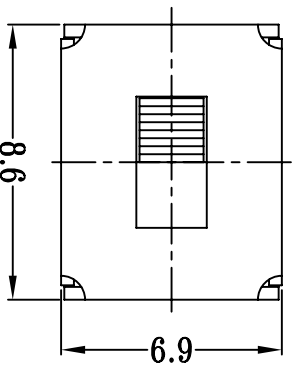
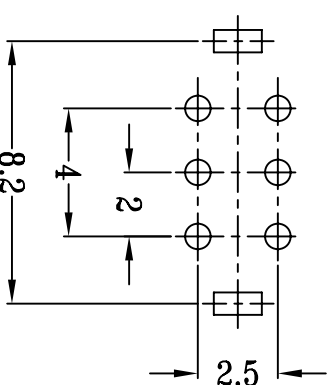


CAD FILE:



SCHMATIC (NON-SHORTING)



P.C.B LAYOUT

注:带"*"表示关键尺寸(7个)

8								
7								
6	SPRING	STAINLESS STEEL	2	NATURAL				
5	CONTACT CLIP	PBS	2	Ag CLAD				
4	TERMINAL	BRASS STRIP	6	Ag PLATED OVER Ni PLATED				
3	BASE	PHENOLIC RESIN	1	NATURAL				
2	FRAME	STEEL STRIP	1	Ni PLATED				
1	KNOB	POM	1	BLACK				
NO.	PARTS	MATERIALS	Q'TY	FINISH				

TOLERANCE UNLESS SPECIFIED					SHENZHEN XIEJIA ELECTRONICS CO.,LTD.			
WITHIN: 1.5±0.1mm					ISSUE	DATE	DESCRIPTIONS OF REVISION	APPD.
OVER : 1.5±0.2mm								
TITLE : VERTICAL SLIDE SWITCH					UNIT : mm	SCALE: 4:1	DRWG NO.: XJ-DR-SS22D36-00	
MODEL: SS-22D36					ALL MATERIALS MUST BE COMPLIANT TO ROHS			
DWN.	ZHOUYU	2005-12-26						
CHK'D	FANGYING	2005-12-26						
APPD.	KANGXINAN	2005-12-26						